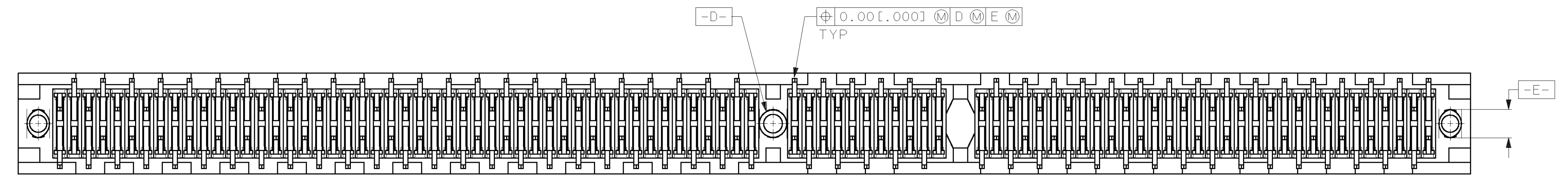
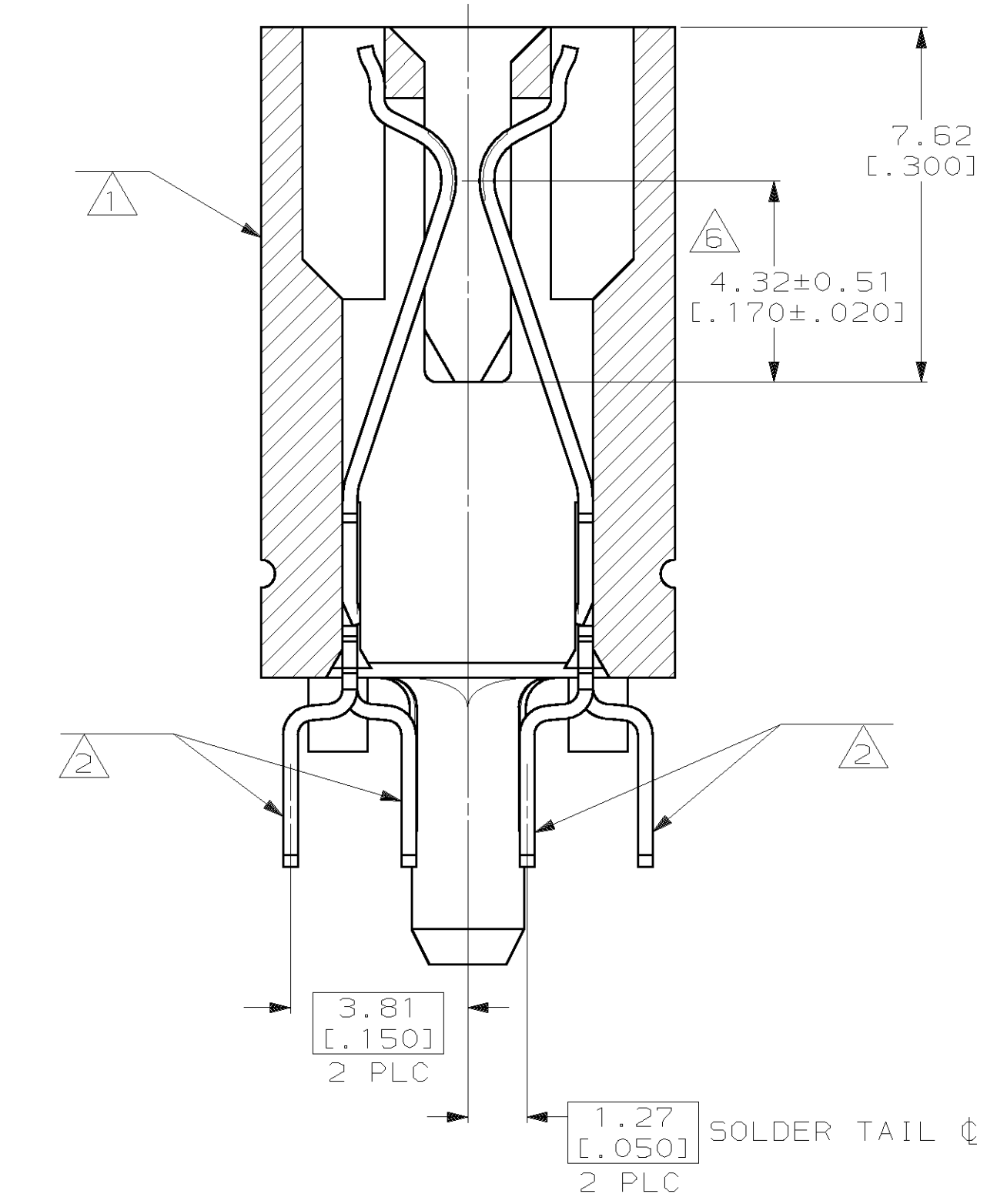
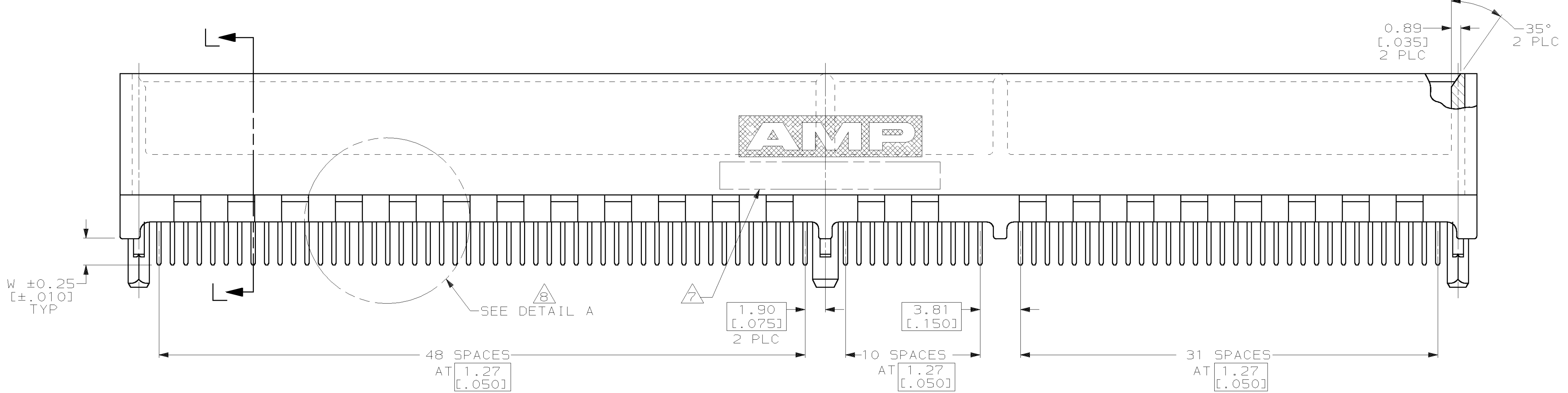
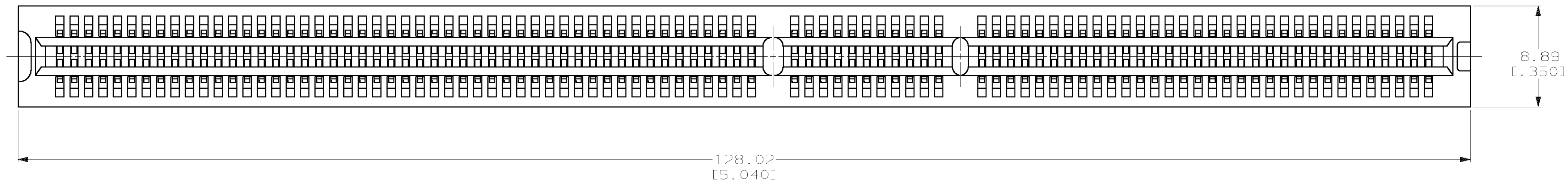
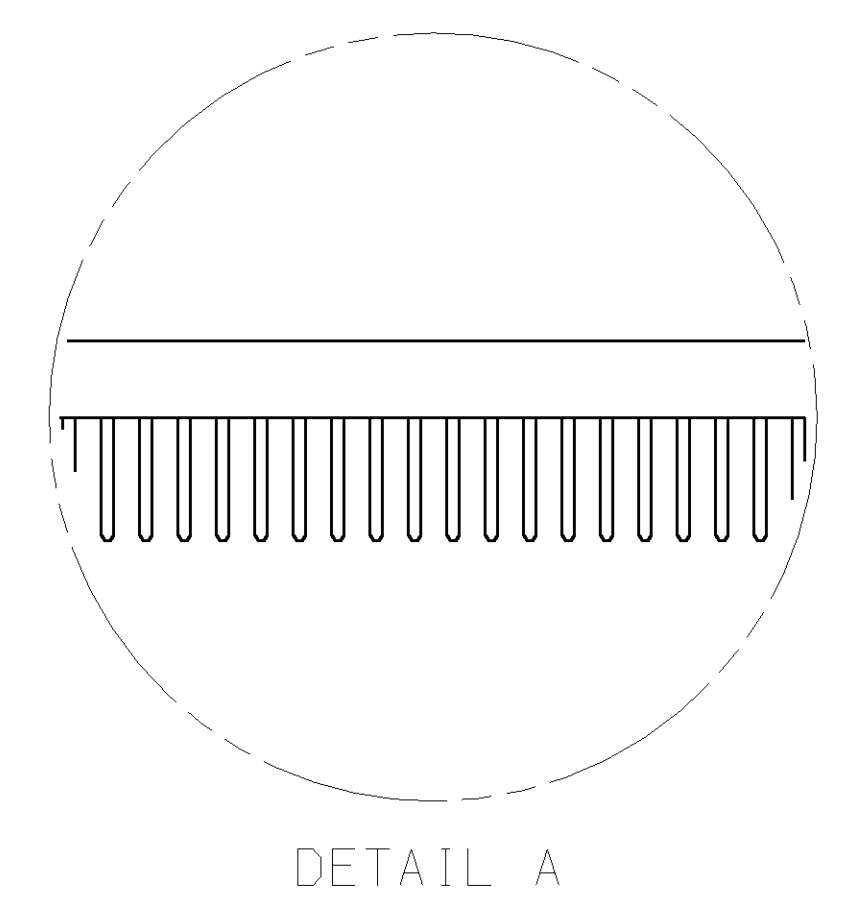


LOC		DIST		REVISED PER		DATE	APPD
GP	00	P	F	ZONE	LTR		
		F				04SEP01	DD



SEE SHEET 2 FOR HOLE PATTERN



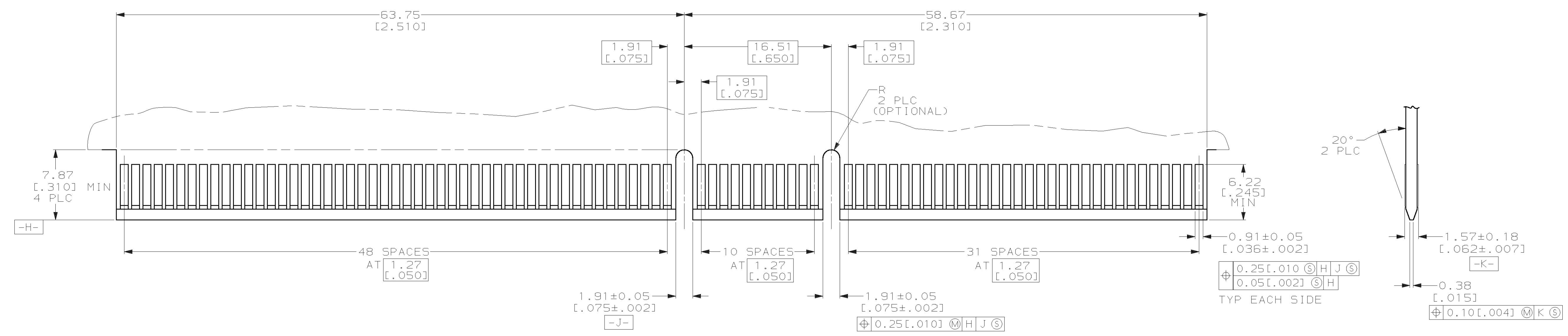
- ① HOUSING: HIGH TEMPERATURE THERMOPLASTIC. COLOR - NATURAL
- ② CONTACT: PHOSPHOR BRONZE.
- ③ CONTACT FINISH: .001269[.000050] MIN NICKEL ALL OVER. GOLD FLASH OVER NICKEL IN CONTACT AREA. .002537[.000100] MIN TIN-LEAD OVER NICKEL ON SOLDER TAILS.
- ④ CONTACT FINISH: .001269[.000050] MIN NICKEL ALL OVER. .000375[.000015] MIN GOLD OVER NICKEL IN CONTACT AREA. .002537[.000100] MIN TIN-LEAD OVER NICKEL ON SOLDER TAILS.
- ⑤ CONTACT FINISH: .001269[.000050] MIN NICKEL ALL OVER. .000757[.000030] MIN GOLD OVER NICKEL IN CONTACT AREA. .002537[.000100] MIN TIN-LEAD OVER NICKEL ON SOLDER TAILS.
- ⑥ DISTANCE FROM CONTACT POINT TO BOTTOM OF CARD SLOT.
- ⑦ AMP PART NUMBER, DATE CODE AND CSA LOGO MARKED IN APPROXIMATE LOCATION SHOWN.
- ⑧ CORED OR SOLID SIDE WALLS ARE AT DISCRETION OF AMP INCORPORATED.

SUPERSEDED BY 145166-4

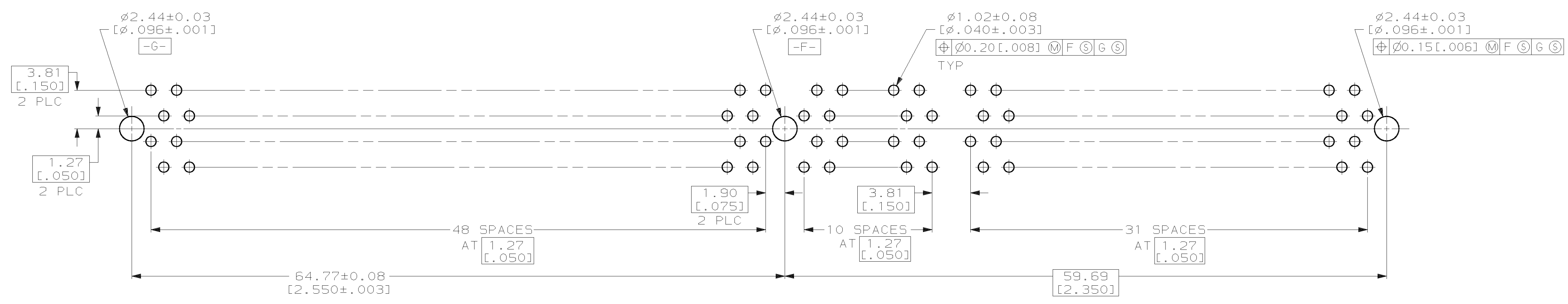
3.56 [.140]	①	1-145166-2
3.18 [.125]	②	145166-8
2.54 [.100]	③	145166-4
2.54 [.100]	④	145166-3
2.54 [.100]	⑤	145166-2
2.54 [.100]	⑥	145166-1

DO NOT SCALE PRINT. UNLESS SPECIFIED DIMENSIONS IN mm [INCHES]		AMP Incorporated Harrisburg, PA 17105-3608	
TOLERANCES ON:	DR 6/12/95 R BROWN	NAME	CONNECTOR ASSEMBLY, 92 DUAL POSITION, 1.27 [.050] SERIES, STANDARD EDGE
2 PLC DEC ±0.25 [.01]	CHK 6/12/95 M BOWERS	SIZE	D 00779
3 PLC DEC ±0.127 [.005]	APPD 6/12/95 M BOWERS	CAGE CODE	145166
ANGLES ± 2°	APPD 6/12/95 D SARVER	DRAWING NO	145166
MATERIAL	PRODUCT SPEC 108-14034	SCALE	4:1
FINISH	APPLICATION SPEC 114-26012	WEIGHT	
		SHEET	1 OF 2

LOC		DIST		P		ZONE		LTR		REVISIONS		DATE	APPD
GP	00										DESCRIPTION		
											F SEE SHEET 1		



RECOMMENDED MATING BOARD EDGE CONFIGURATION



RECOMMENDED CONNECTOR MOUNTING HOLE PATTERN
 (CONNECTOR SIDE SHOWN)

DO NOT SCALE PRINT. UNLESS SPECIFIED DIMENSIONS IN mm [INCHES] TOLERANCES ON: 2 PLC DEC ±0.25 [.01] 3 PLC DEC ±0.127 [.005] ANGLES ± 2°	DR 6/12/95 R BROWN	AMP Incorporated Harrisburg, PA 17105-3608
	CHK 6/12/95 M BOWERS	
MATERIAL SEE SHEET 1	APPD 6/12/95 M BOWERS	NAME CONNECTOR ASSEMBLY, 92 DUAL POSITION, 1.27 [.050] SERIES, STANDARD EDGE
	APPD 6/12/95 D SARVER	PRODUCT SPEC 108-14034
FINISH SEE SHEET 1	APPLICATION SPEC 114-26012	SIZE D 00779
	WEIGHT	DRAWING NO 145166
		SCALE 4:1
		SHEET 2 OF 2